

1

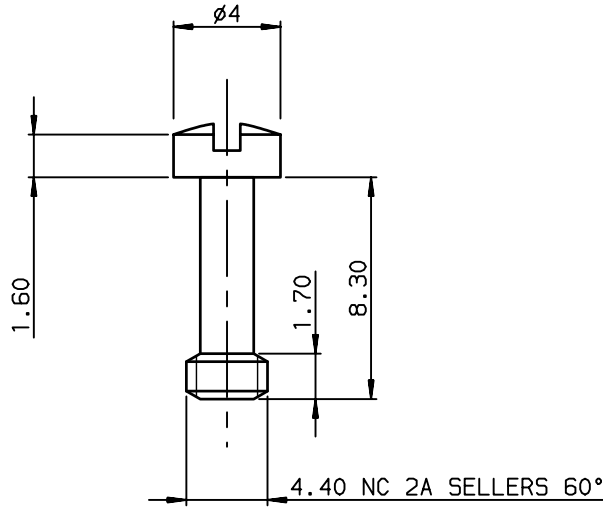
2

3

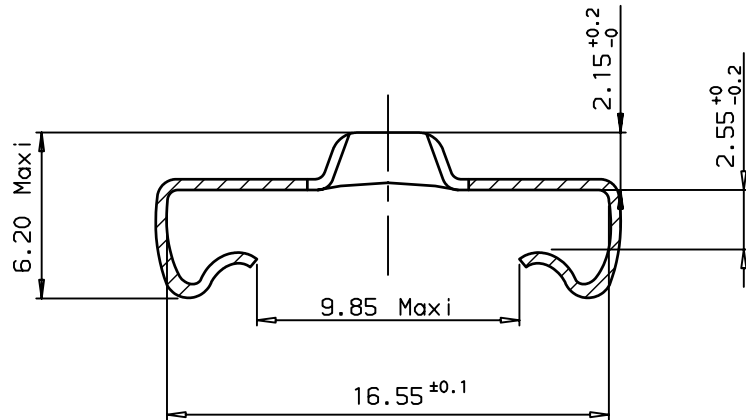
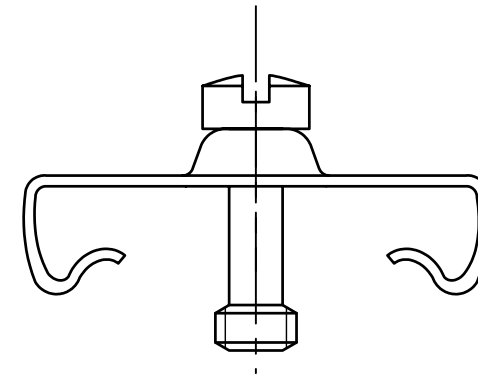
4

NOTES

Pieces assembly  
 Packaging : per 100 piece  
 Material : steel  
 Plating : yellow chromate cadmium  
 Thread : UNC 4.40



VIEW ASSEMBLY



Part Number **8630-25A**

European Views

www.fciconnect.com		surface ISO 1302 <input checked="" type="checkbox"/>	tolerance std ISO 406 ISO 1101	projection 	mm
TOLERANCES UNLESS OTHERWISE SPECIFIED					
Dr	JOUBERT	1998/04/29	ANGULAR	0.X ±0.1	size A3
Eng	-	-	LINEAR	0.XX ±0.1	Scale 5
Chr	-	-	0.XX' ±2'	0.XXX ±0.1	ECN LS07-0001
Appr	-	-	Product family	D-SUB	Spec ref -
		title MALE SCREW LOCKS			Rev. C
		50 PTS (P ET S)			dwg no C01-8655-0712
		catalog no -			CUSTOMER sheet 1 of 1

rev	ecn no	dr	date
A	-	SJO	1998/04/29
B	LS06-0101	MPE	2006/06/27
C	LS06-0001	MPE	2007/01/02
-	-	-	-
-	-	-	-
-	-	-	-



Copyright FCJ.